

# WIND RIVER

## SBC8641D

Wind River's SBC8641D evaluation board enables you to begin development on your project before your own custom hardware is available. This board offers a platform for both hardware and software engineers to use in evaluating and prototyping designs that closely parallel their final applications. The SBC8641D also gives software engineers a live target on which to begin developing and testing application code.

The SBC8641D comes complete with detailed schematics, a Bill of Materials, user documentation, and a power supply to provide you with a turnkey solution for your own custom design. The board also comes standard with the following features:

### **Processor Support**

- MPC8641D

### **Memory**

- (2) banks of 256MB DDR2 SDRAM
- 128MB SDRAM local bus
- (2) banks of 16MB flash, jumper selectable, one active at a time
- 64MB OneNAND flash file system
- 8KB of 8-bit EEPROM

### **Communication Peripherals**

- (4) 10/100/1000Mb/S Ethernet ports with RJ-45 connectors
- (2) RS232 ports with Mini DB9 connectors
- (2) x8 PCIe connectors

### **Miscellaneous**

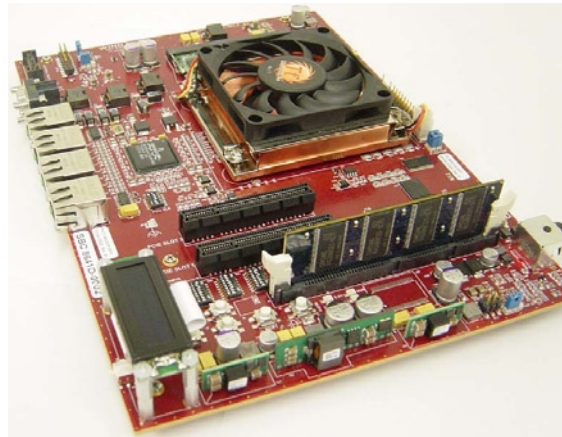
- 16-pin and new high-speed 52-pin JTAG connector
- 2x16 LCD character display
- (8) user switches
- Hard reset switch

### **Versatility**

The SBC8641D is built with a default of two banks of 256MB of DDR2 SDRAM, but customers may increase this by replacing the supplied SODIMMs.

### **Flexibility for Prototyping**

Wind River makes it easy to access many of the processor's functions for off-board development of your own application hardware. The SBC8641D allows access to the processor's DUART through the use of two Mini DB9 connectors. Network capability is provided through four RJ-45 connectors, which are attached through the GbE PHY to the enhanced three-speed Ethernet controllers (eTSECs). The CPU's SerDes interfaces are accessible through high-speed connectors.

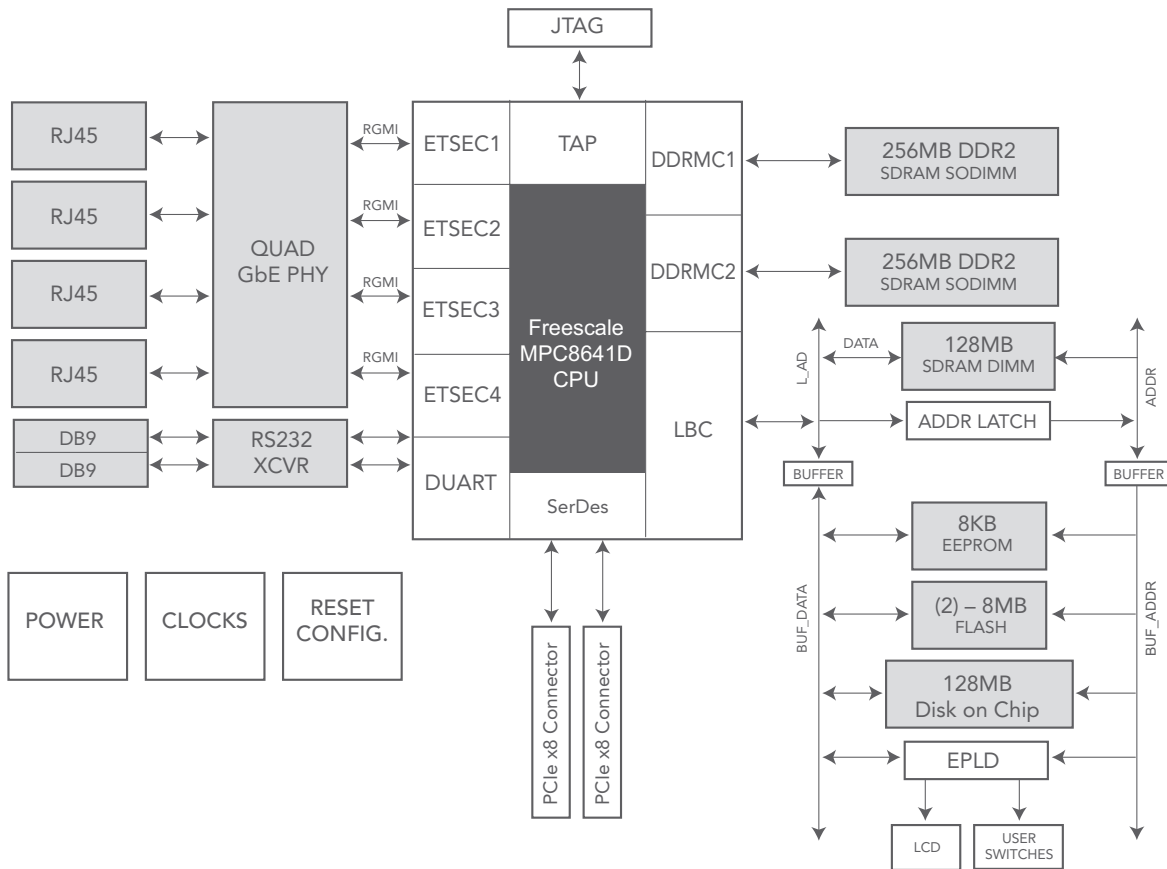


### **Environment Integration**

The SBC8641D is completely integrated with Wind River's full range of development tools. The board comes preintegrated with Wind River ICE (and Wind River Probe), an emulator for turnkey development that delivers real-time performance. Wind River ICE is designed for the entire life cycle of your development project and can deliver any level of support, from low-cost background-mode debugging to full-scale real-time emulation. Wind River also supports C and C++ source-level debugging tools from third-party software vendors. Wind River ICE provides true plug-and-play compatibility with leading kernels and debuggers.

### **Professional Services**

Wind River Professional Services, a CMMI Level 3-certified organization, enables companies to reduce risk and improve competitiveness. Our experienced team delivers device software expertise that directly addresses key challenges and contributes to the success of our clients. Based on our commercial-grade project methodology, service offerings include device design, BSP and driver optimization, software system and middleware integration, legacy application and infrastructure migration, and real-time best practices.



SBC8641D components

### Commercial-Grade Support

As a supplier of professional development systems for Freescale PowerPC embedded processor families, Wind River offers knowledgeable and responsive application and technical support. We also have extensive experience designing and debugging around the chip, so we can help you overcome tricky design issues.

Visit Wind River Online Support at [www.windriver.com/support](http://www.windriver.com/support) for easy access to product manuals, downloadable software, and other problem-solving resources. Online Support visitors can also access a community of developers to discuss their issues and experiences.

If you cannot find the information you need through Online Support, please contact our global support team:

#### North America, South America, and Asia/Pacific

support@windriver.com  
 Toll-free tel.: 800-872-4977 (800-USA-4WRS)  
 Tel.: 510-748-4100  
 Fax: 510-749-2164  
 Hours: 6:00 a.m.–5:00 p.m. (Pacific time)

### Japan

support-jp@windriver.com  
 Tel.: +(00)81-3-5778-6001  
 Fax: +(00)81-3-5778-6003  
 Hours: 10:00 a.m.–5:00 p.m. (local time)

### Europe, the Middle East, and Africa

support-ec@windriver.com  
 Toll-free tel.: +(00)(800) 4977-4977  
 France tel.: +33(0) 1 64 86 66 66  
 France fax: +33(0) 1 64 86 66 10  
 Germany tel.: +49(0) 899 624 45 444  
 Germany fax: +49(0) 899 624 45 999  
 Israel tel.: +972(0) 9741 9561  
 Israel fax: +972(0) 9746 0867  
 UK tel.: +44(0) 1793 831 393  
 UK fax: +44(0) 1793 831 808  
 Hours: 9:00 a.m.–6:00 p.m. (local time)



Wind River is the global leader in Device Software Optimization (DSO). We enable companies to develop, run, and manage device software faster, better, at lower cost, and more reliably. [www.windriver.com](http://www.windriver.com)

© 2007 Wind River Systems, Inc. The Wind River logo is a trademark of Wind River Systems, Inc., and Wind River and VxWorks are registered trademarks of Wind River Systems, Inc. Other marks used herein are the property of their respective owners. For more information, see [www.windriver.com/company/terms/trademark.html](http://www.windriver.com/company/terms/trademark.html). Rev. 07/2007